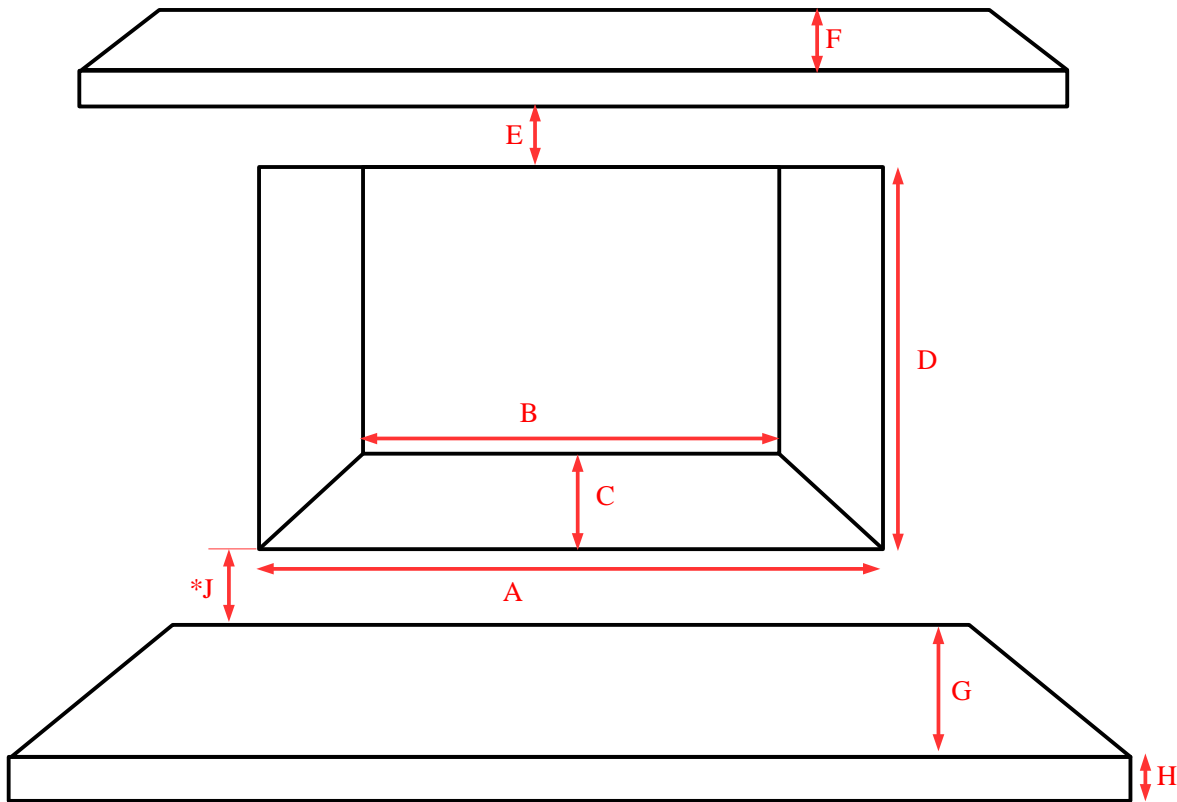


# **NEWTOWN** **FIREPLACE SHOP**

434 Penn Street- Newtown Pa 18940  
215-968-3981

## Fireplace Measuring Guide

Size varies from one fireplace to the next, therefore, determining the right size gas appliance for your fireplace is of the utmost importance. Please reference the diagram below that illustrates what fireplace measurements are required. These measurements will be applicable for gas logs, direct vent inserts or gas stoves and will aid our staff to provide you with the proper size appliance.



- |   |   |
|---|---|
| <p><b>A</b> – Front Opening Width (Inches) = _____</p> <p><b>B</b> – Rear Wall Width (Inches) = _____</p> <p><b>C</b> – Firebox Depth (Inches) = _____</p> <p><b>D</b> – Front Opening Height (Inches) = _____</p> <p><b>E</b> – Height from Top of firebox to<br/>bottom of wood mantel (Inches) = _____</p> | <p><b>F</b> – Mantel Shelf Depth (Inches) = _____</p> <p><b>G</b> – Hearth Depth (Inches) = _____</p> <p><b>H</b> – Hearth Height, if raised (Inches) = _____</p> <p><b>J</b> – Fireplace Floor Height (inches) = _____</p> <p style="text-align: center;">*only if fireplace opening is raised</p> |
|---|---|